

## VIBRATOR BRACKETS



**BOLT-ON**

2001-05-N-01



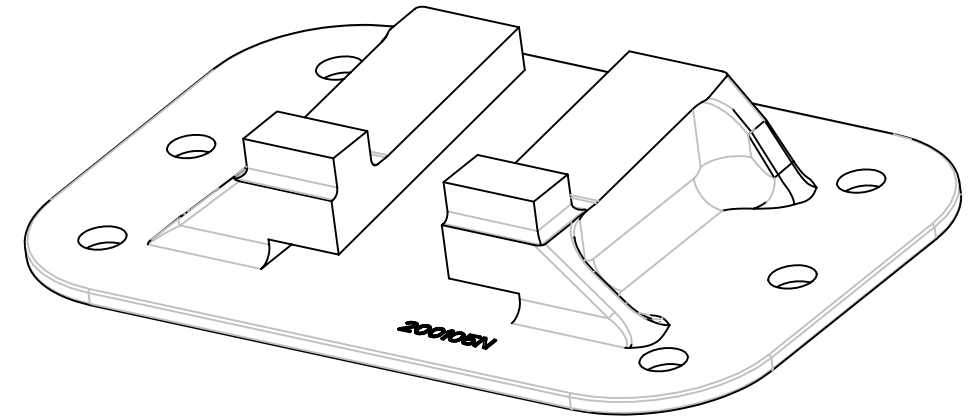
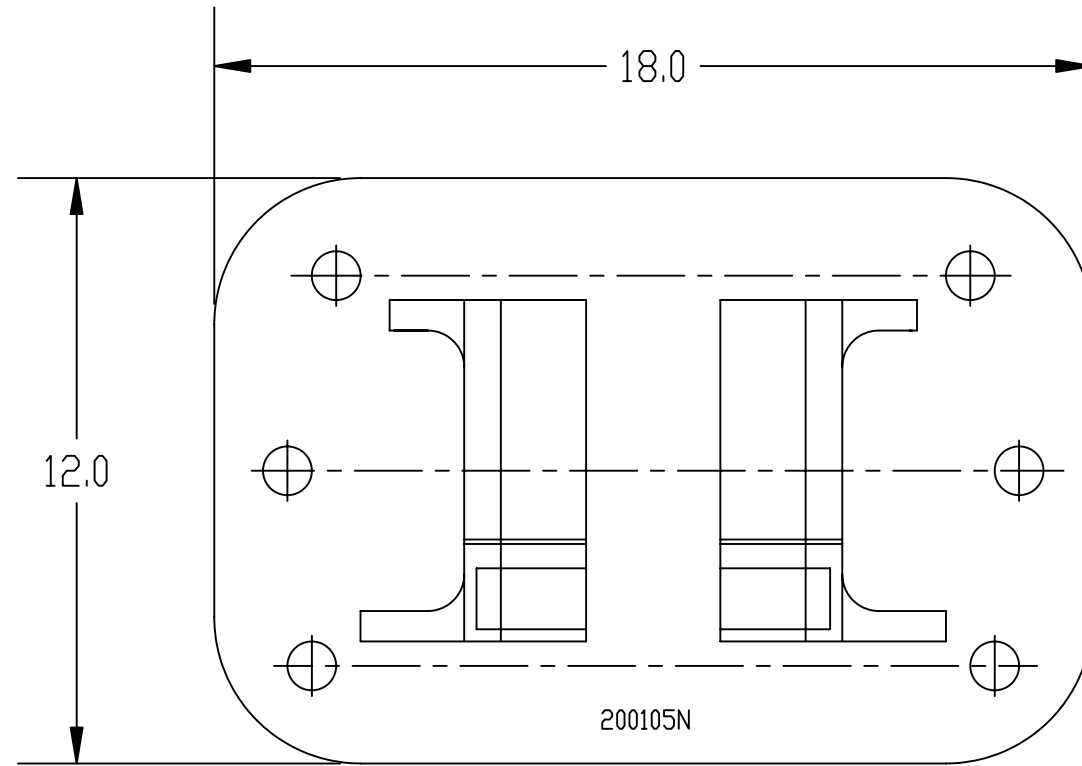
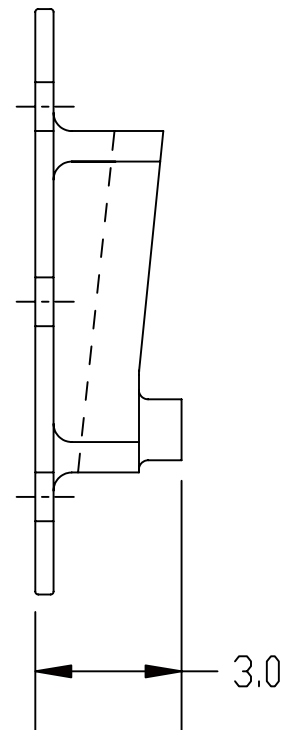
**WELD-ON**

2001-05-W



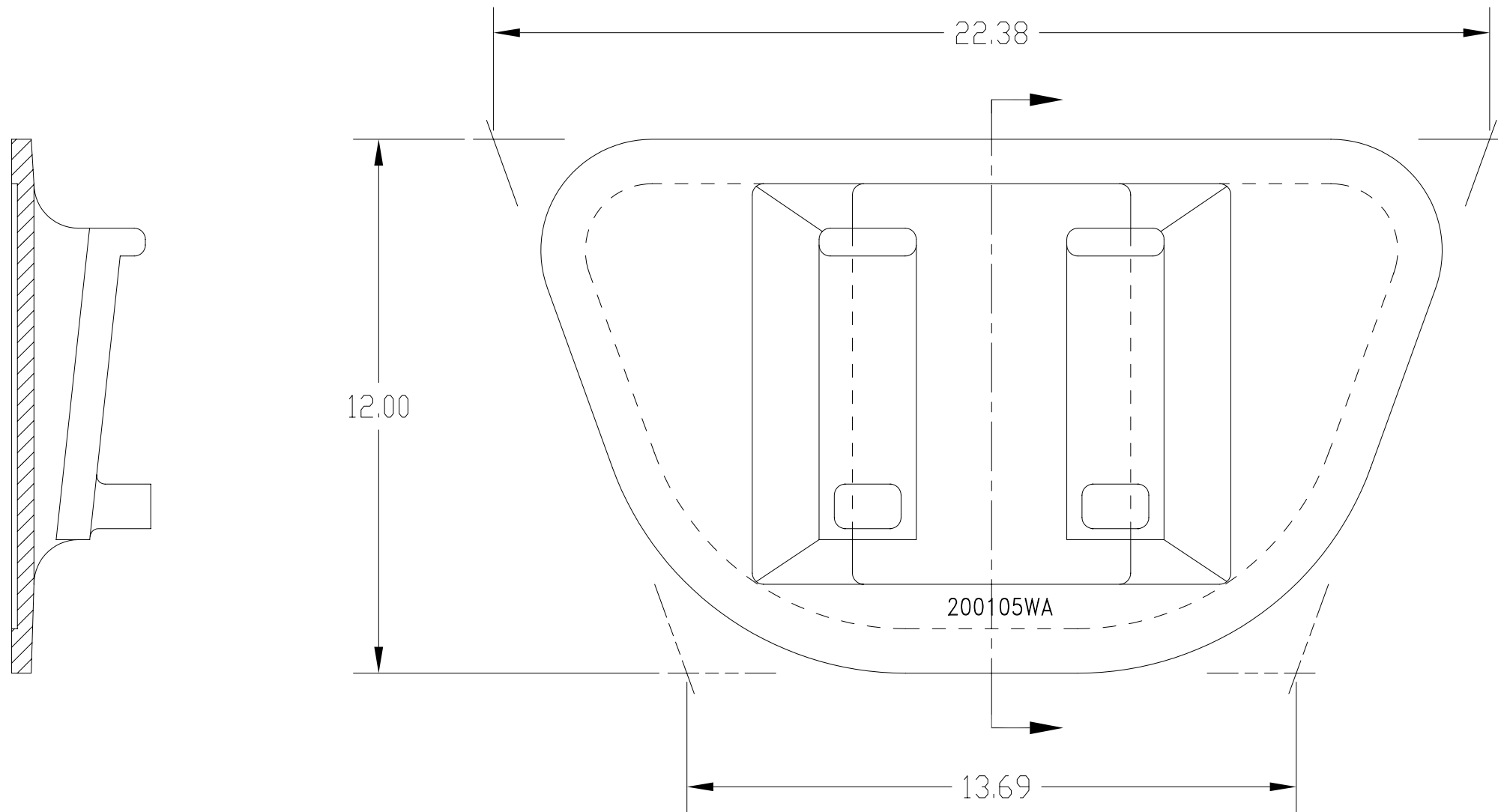
**WELD MOUNT**

2001-05-WA



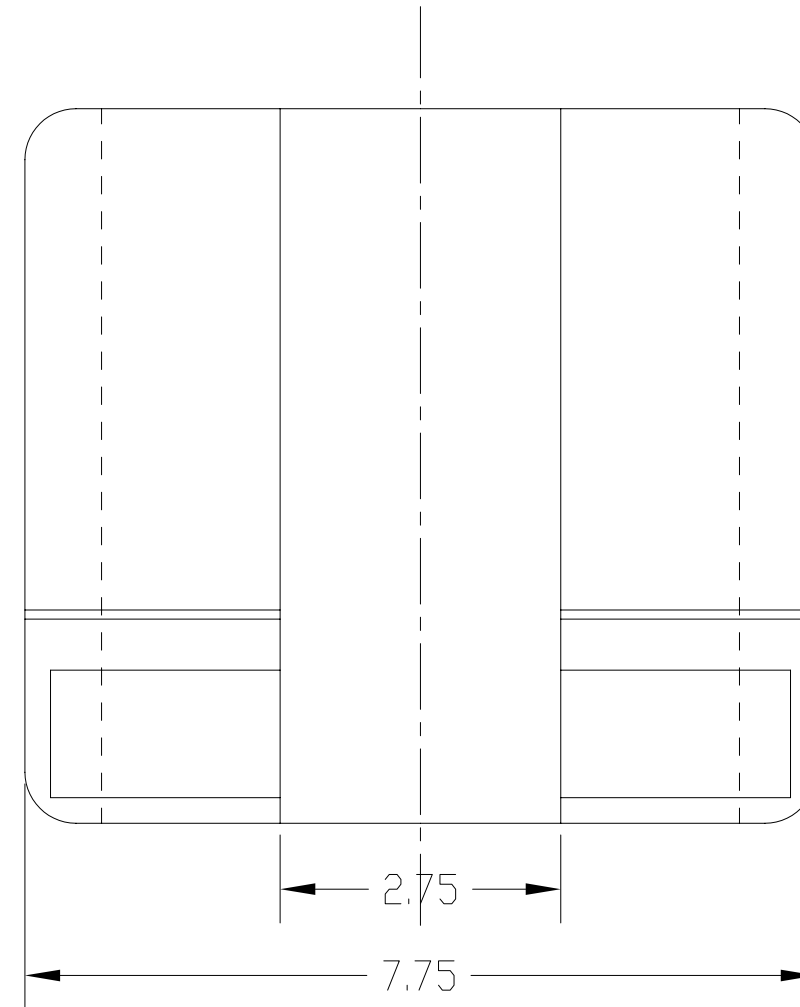
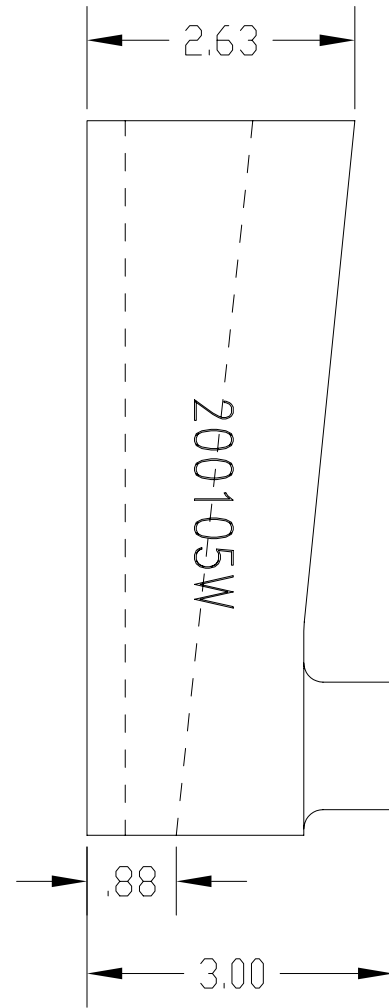
NOTICE OF PROPRIETARY RIGHTS: This document discloses subject matter in which CMN Components, Inc. has proprietary rights. Neither receipt nor possession thereof confers or transfers any rights to reproduce or disclose this document, any part thereof, any information contained therein or any physical article or device, or to practice any method or process except by the written permission from CMN Components, Inc.

VIBRATOR BRACKET		THIS DRAWING IS THE PROPERTY OF		
		CMN COMPONENTS		
WEIGHT: 37.00 LB		TITLE: BOLT-ON VIBRACKET BRACKET		
ELECTRONIC FILE NAME:		SIZE: B	FSCM No:	DRAWING NUMBER: 2001-05-N-01
		DO NOT SCALE DRAWING		REV. SHEET 1 OF 1



NOTICE OF PROPRIETARY RIGHTS: This document discloses subject matter in which CMN Components, Inc. has proprietary rights. Neither receipt nor possession thereof confers or transfers any rights to reproduce or disclose this document, any part thereof, any information contained therein or any physical article or device, or to practice any method or process except by the written permission from CMN Components, Inc.

VIBRATOR BRACKET		THIS DRAWING IS THE PROPERTY OF		
		CMN COMPONENTS		
WEIGHT: 33.00 LB		TITLE: WELD-MOUNT VIBRACKET BRACKET		
SIZE: B	FSCM No	DRAWING NUMBER: 2001-05-WA	REV.	
ELECTRONIC FILE NAME:		DO NOT SCALE DRAWING		SHEET 1 OF 1



NOTICE OF PROPRIETARY RIGHTS: This document discloses subject matter in which CMN Components, Inc. has proprietary rights. Neither receipt nor possession thereof confers or transfers any rights to reproduce or disclose this document, any part thereof, any information contained therein or any physical article or device, or to practice any method or process except by the written permission from CMN Components, Inc.

VIBRATOR BRACKET		THIS DRAWING IS THE PROPERTY OF		
		CMN COMPONENTS		
WEIGHT: 21.00 LB		TITLE: WELD-ON VIBRACKET BRACKET		
ELECTRONIC FILE NAME:		SIZE B	FSCM No	DRAWING NUMBER: 2001-05-W
		DO NOT SCALE DRAWING		REV. SHEET 1 OF 1